

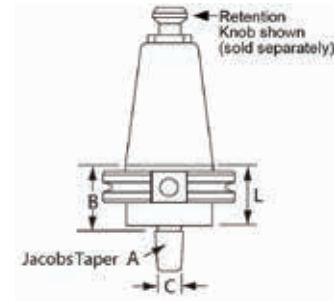
## Jacobs Taper

### CAT50 Jacobs Taper Holders



- Precision ground Jacobs pilot
- Jacobs taper held to better than .0002" accuracy for best mating with the drill chuck

- Notes:
- Not for high speed use.
  - Must be cleaned and degreased before assembly with drill chuck.



### CAT50 Jacobs Taper Holders

Taper	Jacobs Taper (A)	Gage Length (B)	C	L	Part #
V50	#2	1.50	.559	1.38	<a href="#">RC5JT021500</a>
V50	#3	1.50	.811	1.38	<a href="#">RC5JT031500</a>
V50	#4	1.50	1.124	1.38	<a href="#">RC5JT041500</a>
V50	#6	1.50	1.413	1.38	<a href="#">RC5JT061500</a>
V50	#33	1.50	.624	1.38	<a href="#">RC5JT331500</a>

### Jacobs High Precision Keyless Chucks

Model	Capacity	Taper	Photo	Part #
JKP 65-J1	.012-.255	#1 J.T.		<a href="#">31121</a>
JKP 80-J2S	.012-.315	#2 J.T.		<a href="#">9679</a>
JKP 100-J33	.020-.394	#33 J.T.		<a href="#">9680</a>
JKP 130-J2	.039-.512	#2 J.T.		<a href="#">9683</a>

### Jacobs High Precision Key Type Chucks

Model	Capacity	Taper	Photo	Part #
11N	.040-.375	#2 J.T.		<a href="#">30215</a>
14N	.040-.500	#3 J.T.		<a href="#">30221</a>
16N	.125-.625	#3 J.T.		<a href="#">30227</a>
18N	.125-.750	#4 J.T.		<a href="#">30233</a>

### Jacobs Drill Chuck Replacement Key

Chuck #	Model	Part #
11N	K32	<a href="#">3666</a>
14N	K3	<a href="#">3651</a>
16N	K4	<a href="#">3655</a>
18N	K4	<a href="#">3655</a>